

Drawings and specifications as instruments of service are and shall remain the property of the professional of record whether the project for which they are made is executed or not. They are not to be used by the owner or anyone else on other projects or extensions to this project except by agreement in writing and with appropriate compensation to the authors.

co-op projects
 phone: 1 504 250 0545
 co-ops-projects.com
 1210 st andrew st
 new orleans, la 70000

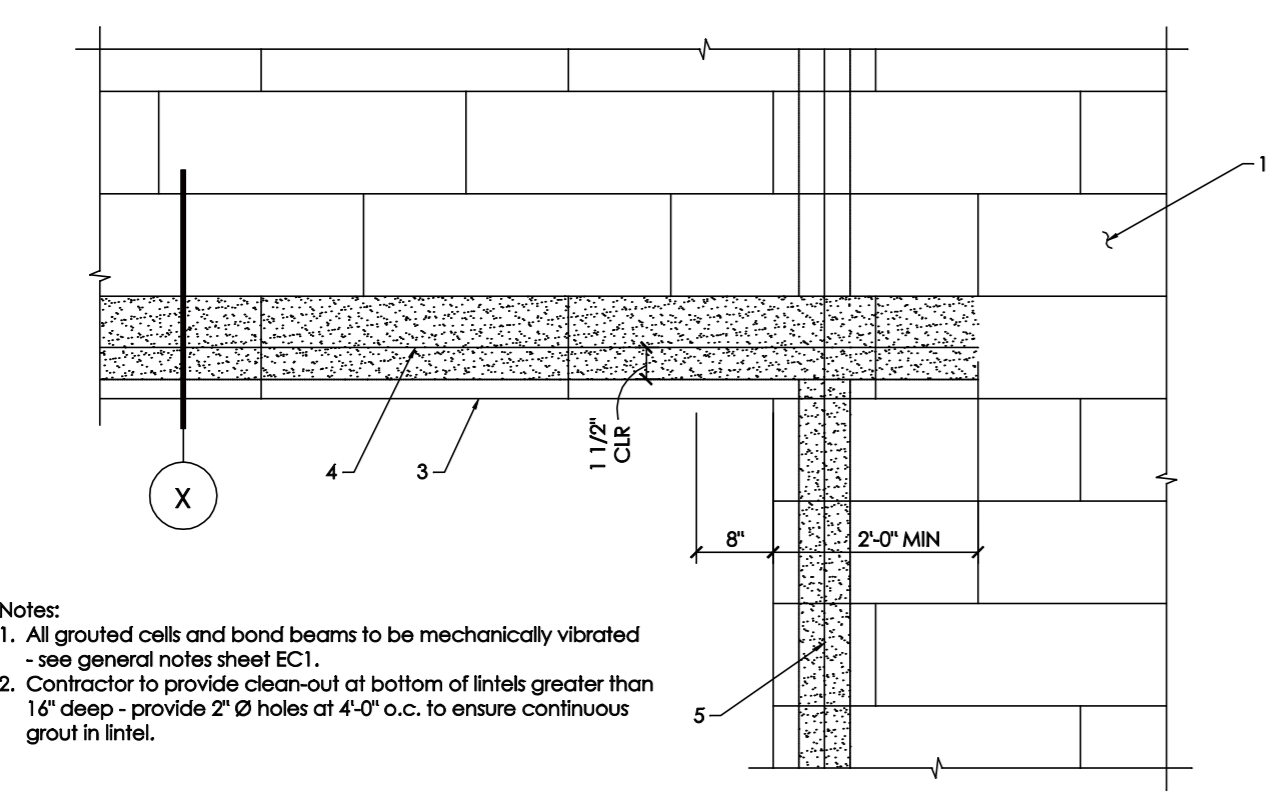
revisions

job#: 00104
521
st joseph st
renovation
 9 rental apartments
 521 st joseph street
 new orleans, louisiana
 owner:

PRELIMINARY
 09-08-2010

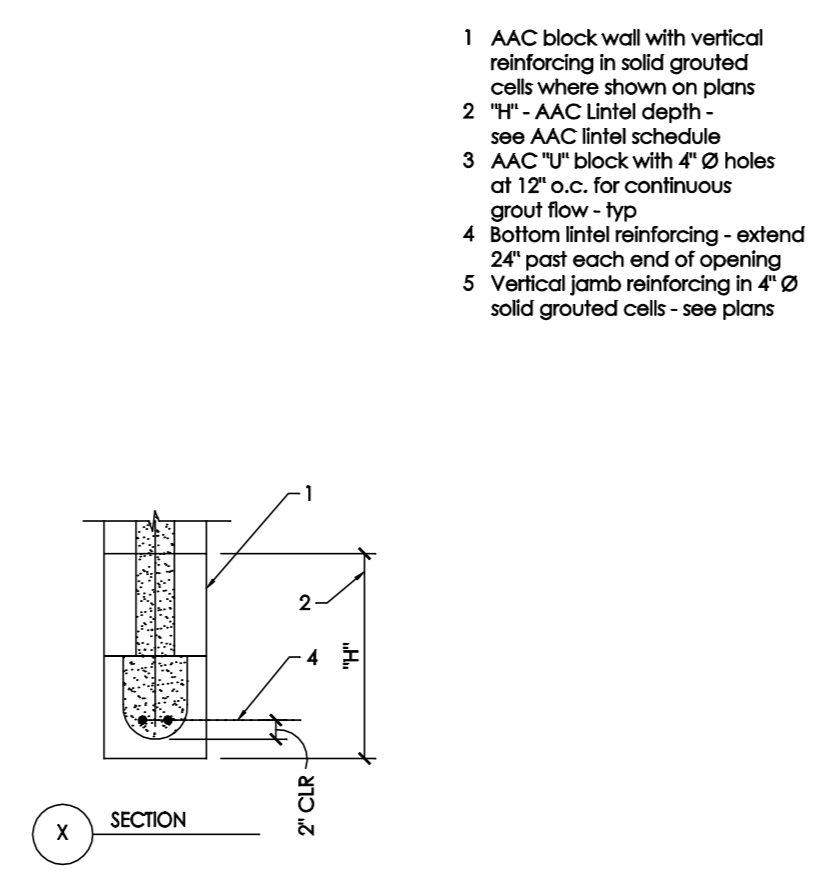
A3.3
 AAC/BLOCK
 DETAILS

sheet #



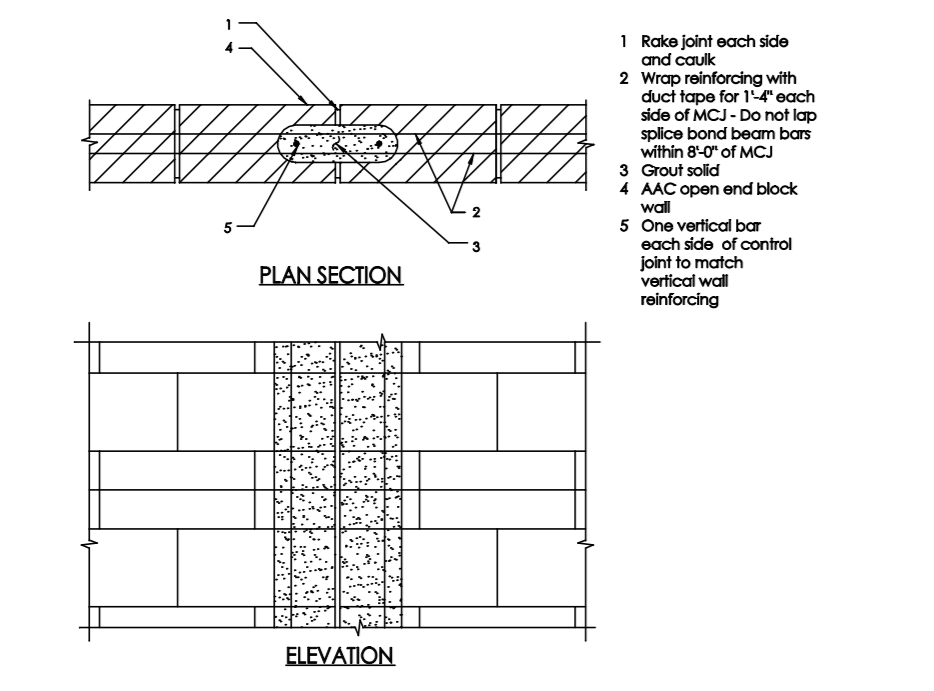
- Notes:
 1. All grouted cells and bond beams to be mechanically vibrated - see general notes sheet EC1.
 2. Contractor to provide clean-out at bottom of lintels greater than 16\"/>

1 ELEVATION - AAC LINTEL DETAIL
 A3.3 NTS



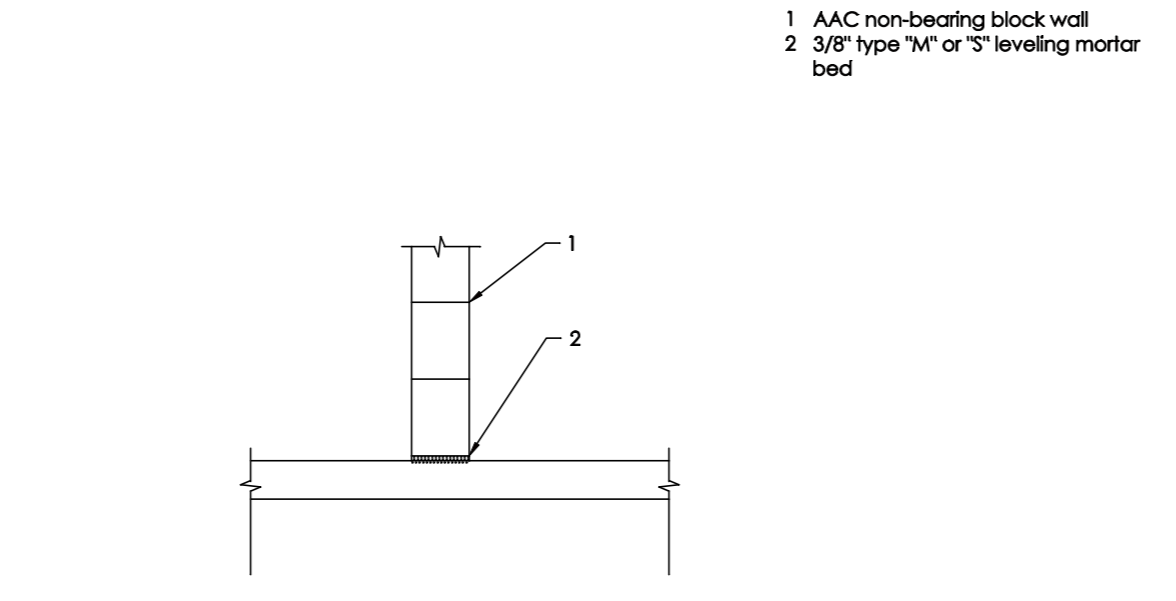
- 1 AAC block wall with vertical reinforcing in solid grouted cells where shown on plans
 2 #4 horizontal reinforcing in AAC "U" block - typ at roof line u.o.o. on plans
 3 #4 centered in 4\"/>

2 ELEVATION - AAC BLOCK WALL REINFORCING AT OPENINGS
 A3.3 NTS



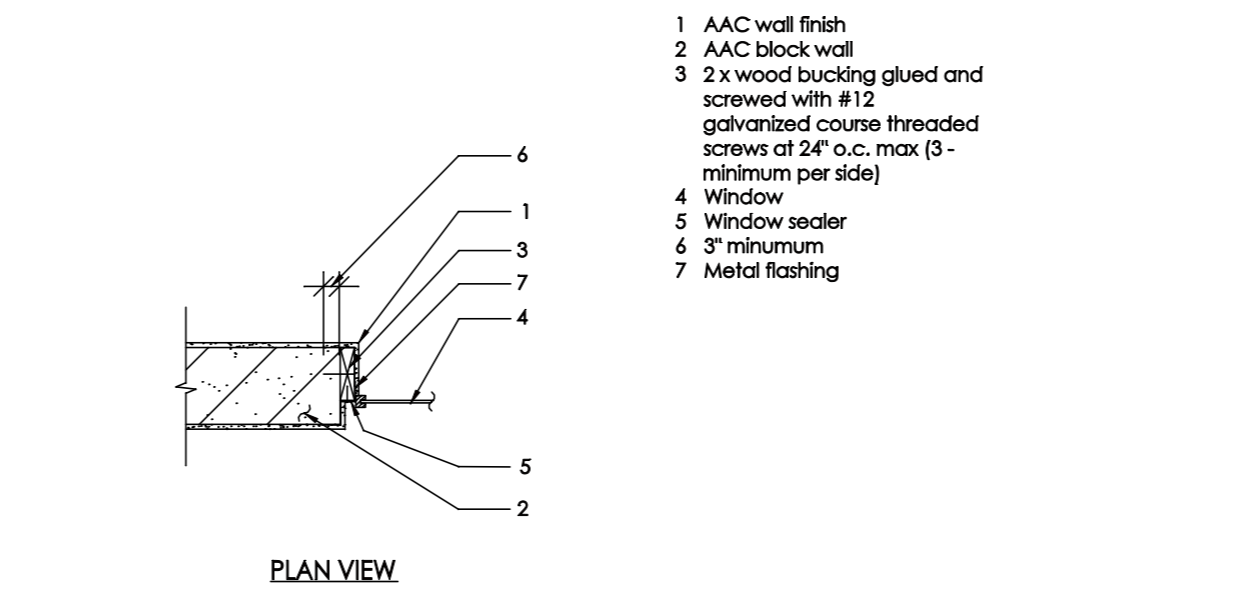
1. Make joint each side and seal.
 2. Wrap reinforcing with duct tape for 1\"/>

3 PLAN VIEW- TYPICAL AAC MASONRY CONTROL JOINT
 A3.3 NTS



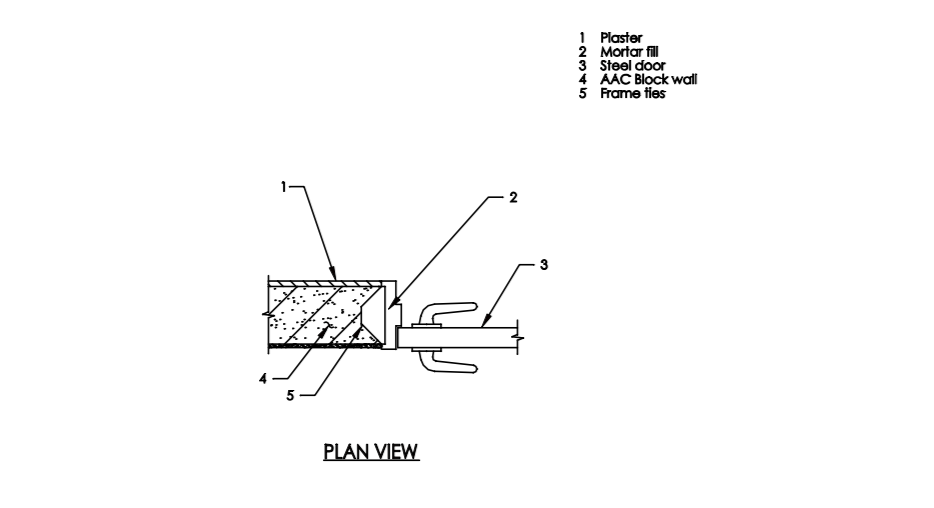
- 1 AAC non-bearing block wall
 2 3/8\"/>

4 INTERIOR NON-BEARING AAC BLOCK WALL
 A3.3 NTS



- 1 AAC wall finish
 2 AAC block wall
 3 2 x wood bucking glued and screwed with #12 galvanized course threaded screws at 24\"/>

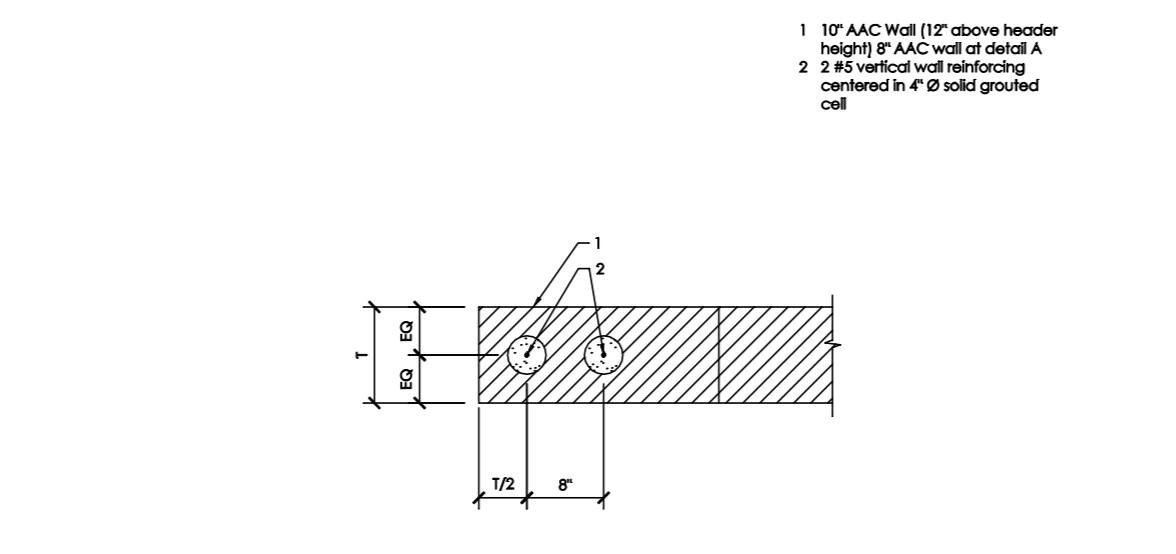
5 WINDOW AT AAC WALL
 A3.3 NTS



1. Proffer mortar for AAC block wall frame tie.

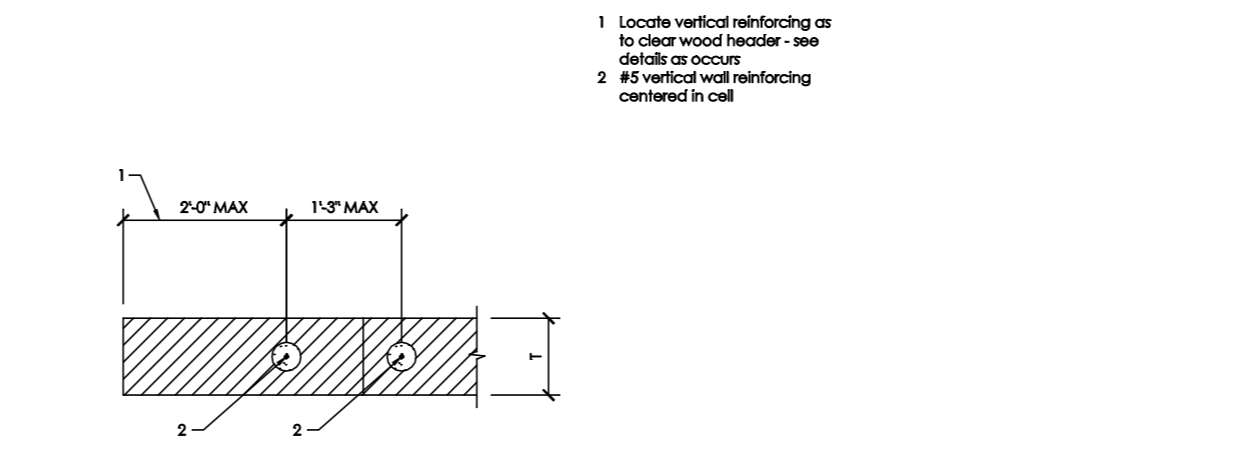
- Notes:
 1. Use frame tie lsd in mortar bed to anchor steel door frame to AAC block wall as shown in the illustration. any gaps between frame and AAC block should be filled with mortar to eliminate cavities.
 2. See structural drawings for AAC lintel information.

6 STEEL DOOR FRAME ANCHORAGE TO AAC BLOCK
 A3.3 NTS



- 1 1/2\"/>
 2 2 #5 vertical wall reinforcing centered in 4\"/>

7 JAMB REINFORCING AS SHOWN
 A3.3 NTS



- 1 Locate vertical reinforcing as to clear wood header - see detail as occurs
 2 #5 vertical wall reinforcing centered in cell

8 JAMB REINFORCING AS SHOWN
 A3.3 NTS

Note:
 See structural drawings for AAC lintel information