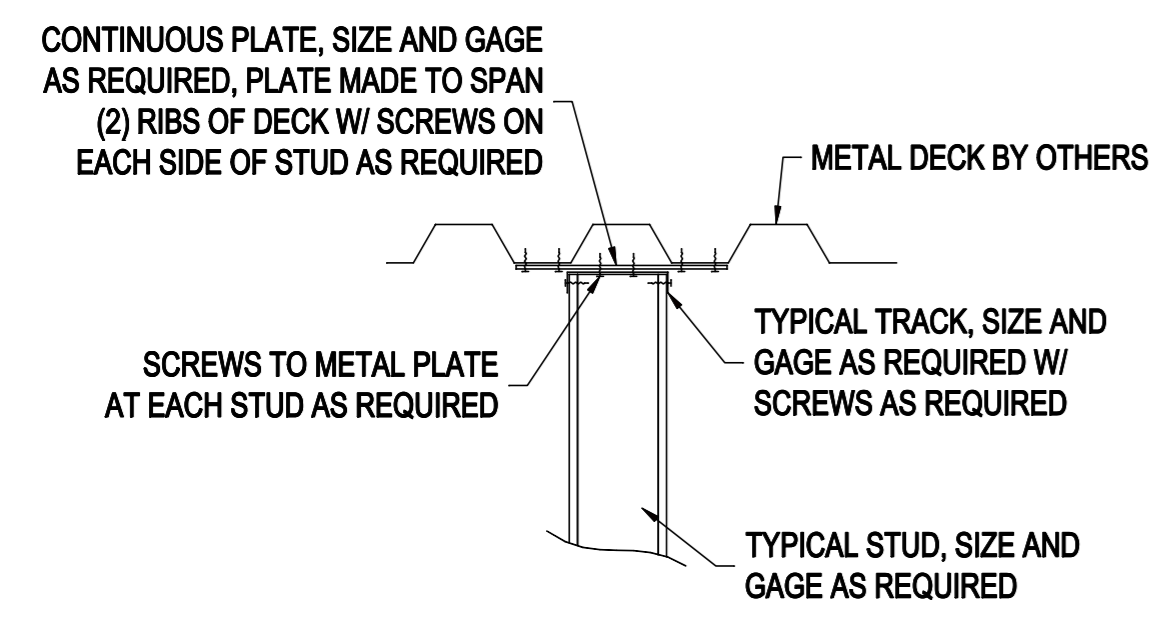
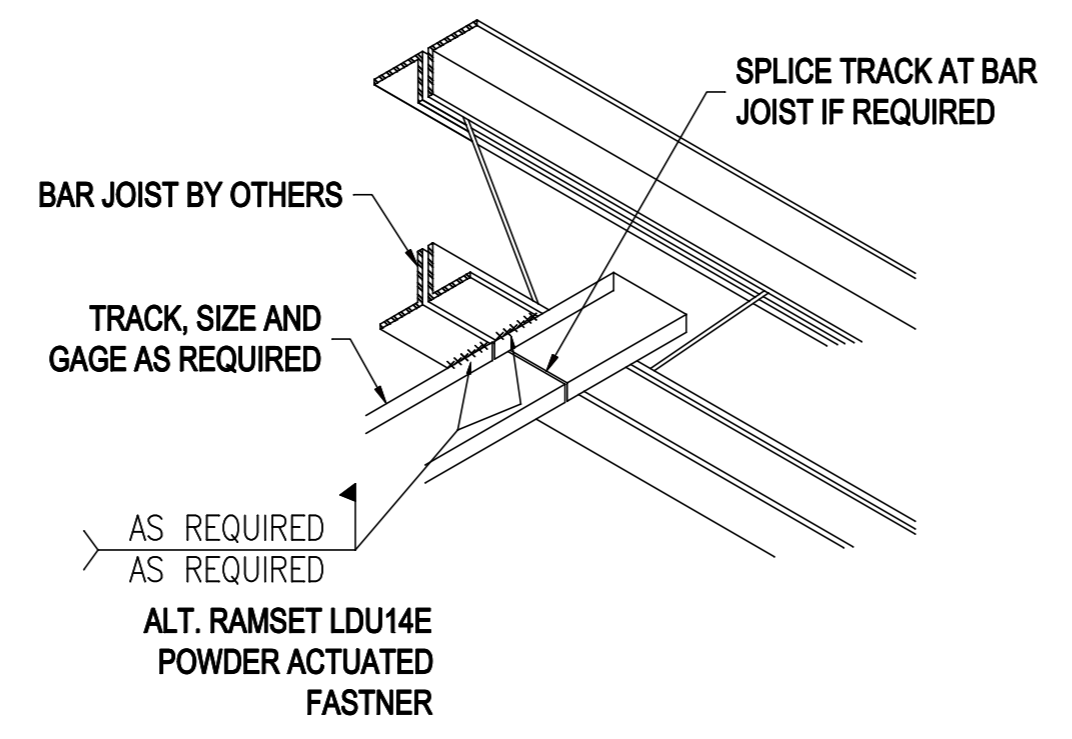


Drawings and specifications as instruments of service are and shall remain the property of the professional of record whether the project for which they are made is executed or not. They are not to be used by the owner or anyone else on other projects or extensions to this project except by agreement in writing and with appropriate compensation to the authors.

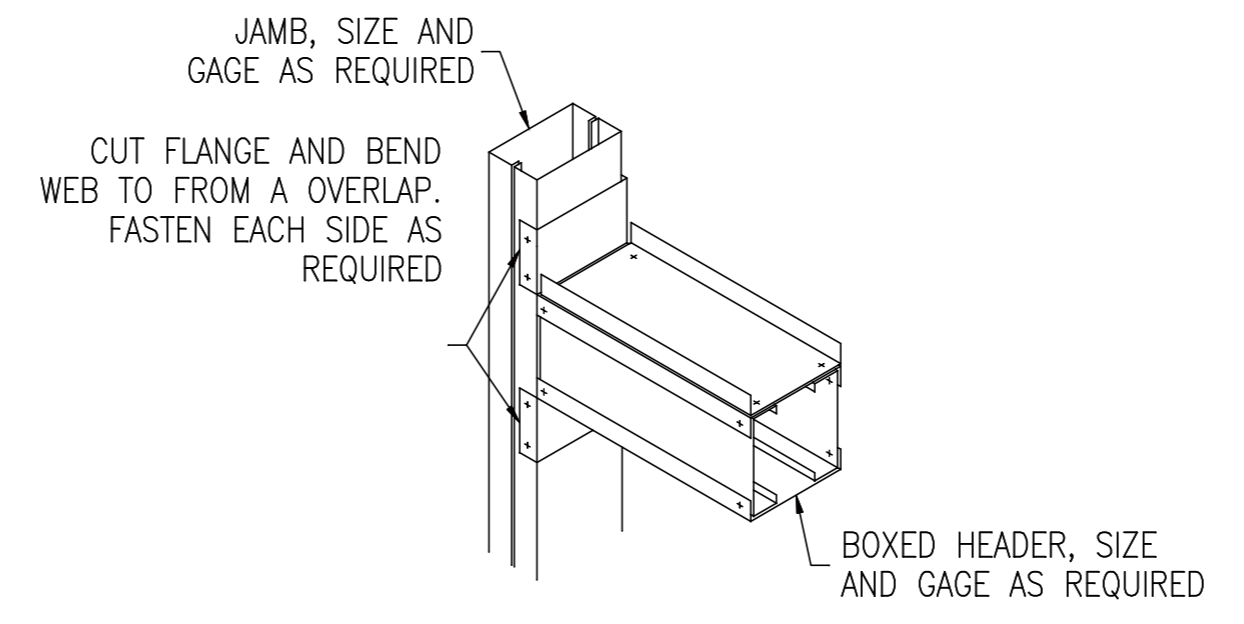
co-op projects
 phone: 1 504 250 0545
 website: co-op-projects.com
 1210 st andrew bl
 new orleans, la 70002



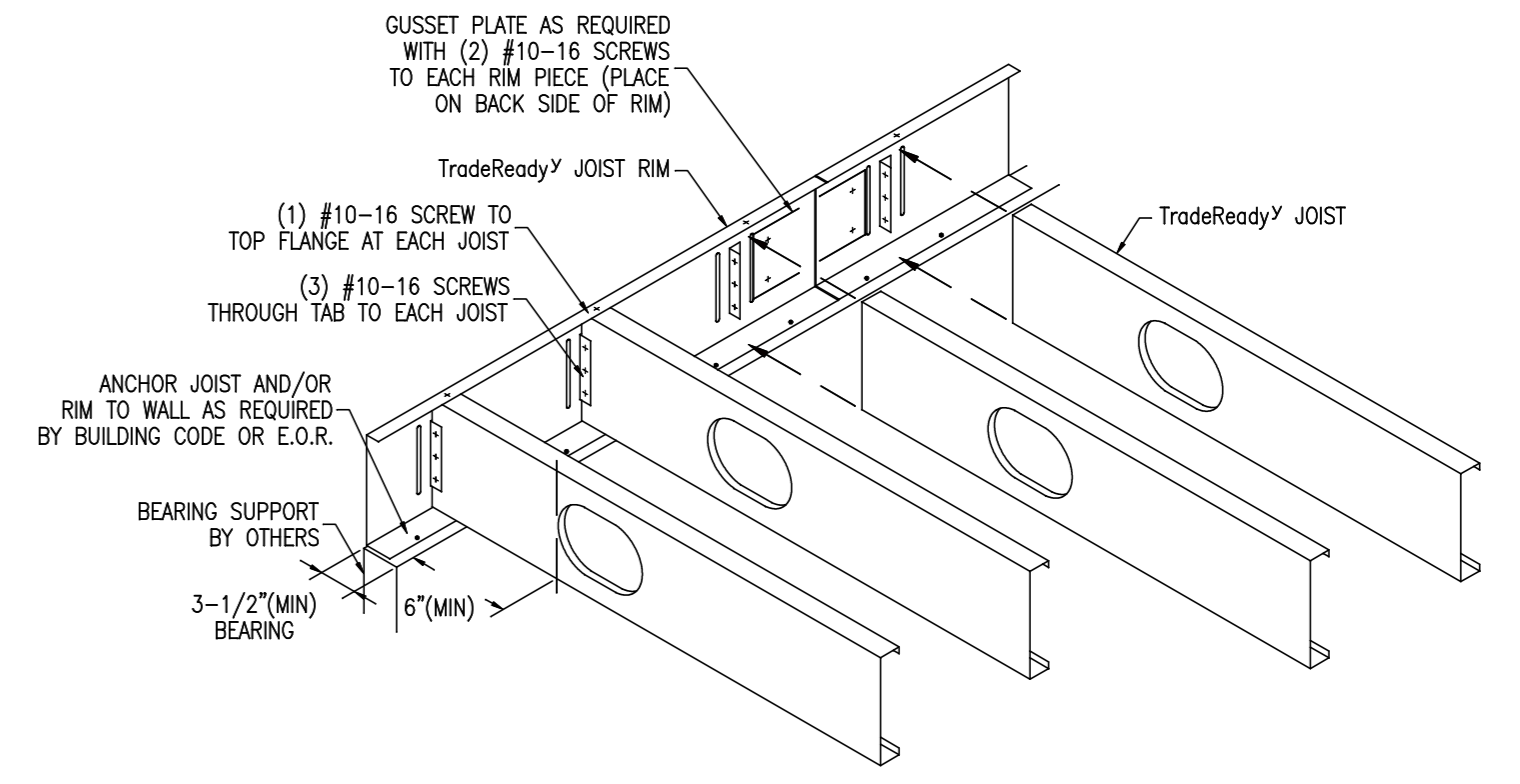
1 CEILING CONNECTION NON RATED
 A3.4 NTS



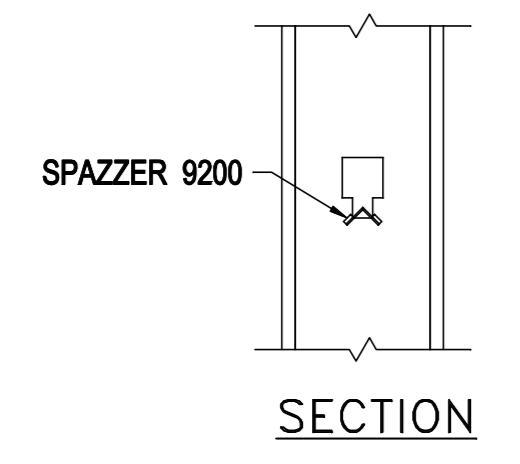
2 CEILING JOIST CONNECTION NON RATED
 A3.4 NTS



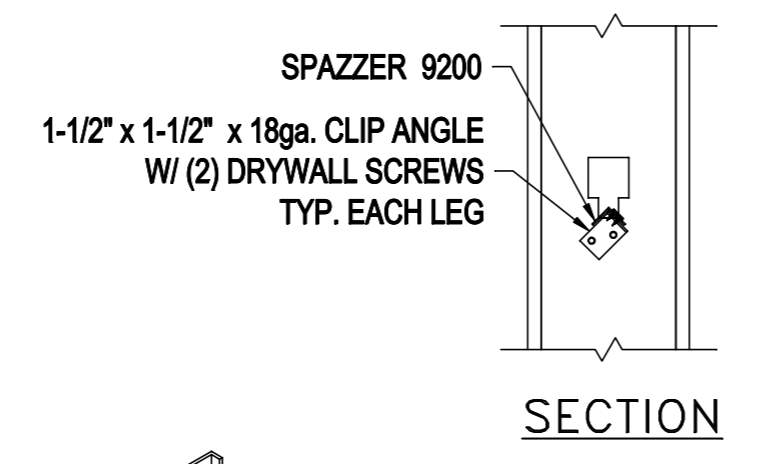
3 HEADER STEEL FRAMING
 A3.4 NTS



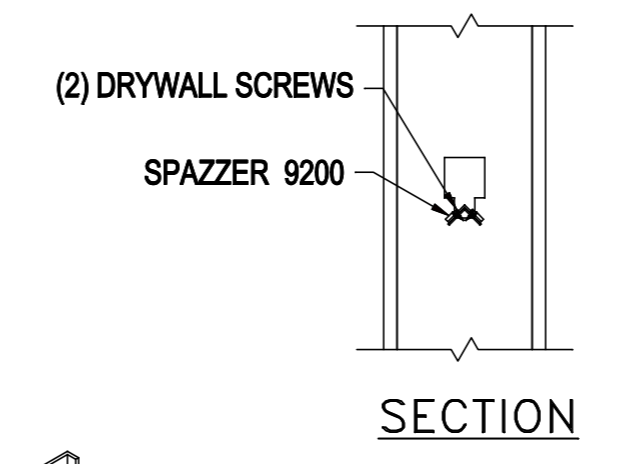
4 JOIST END BEARING CONDITION
 A3.4 NTS



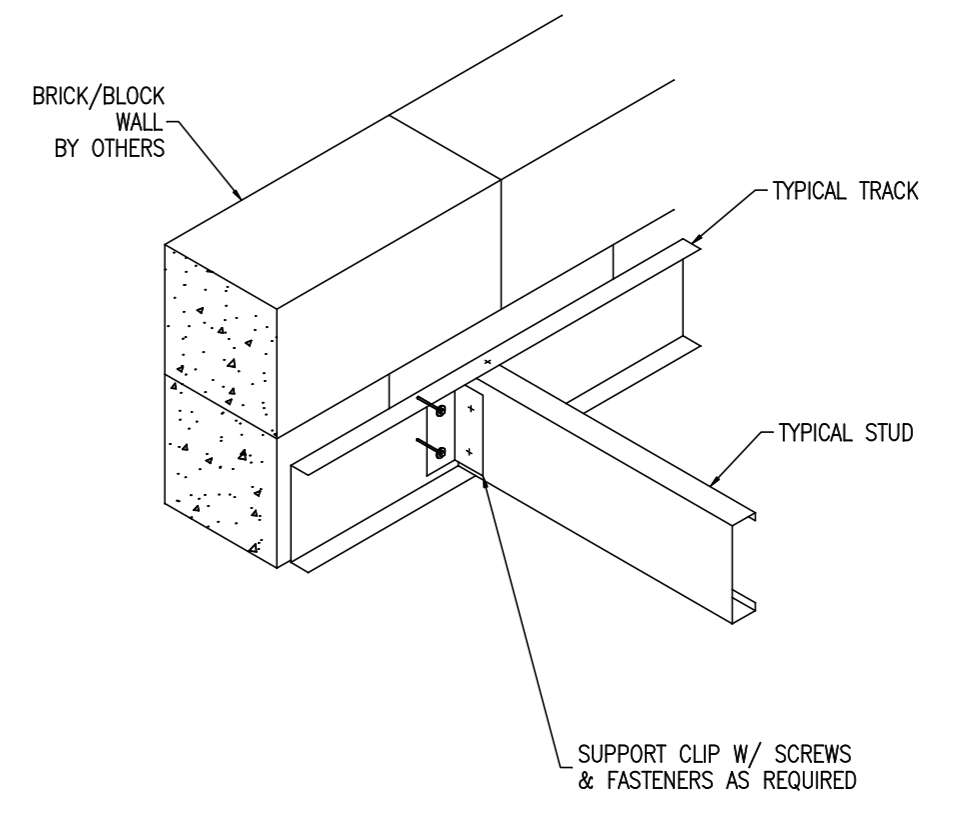
5 SPACER BAR FRAMING
 A3.4 NTS



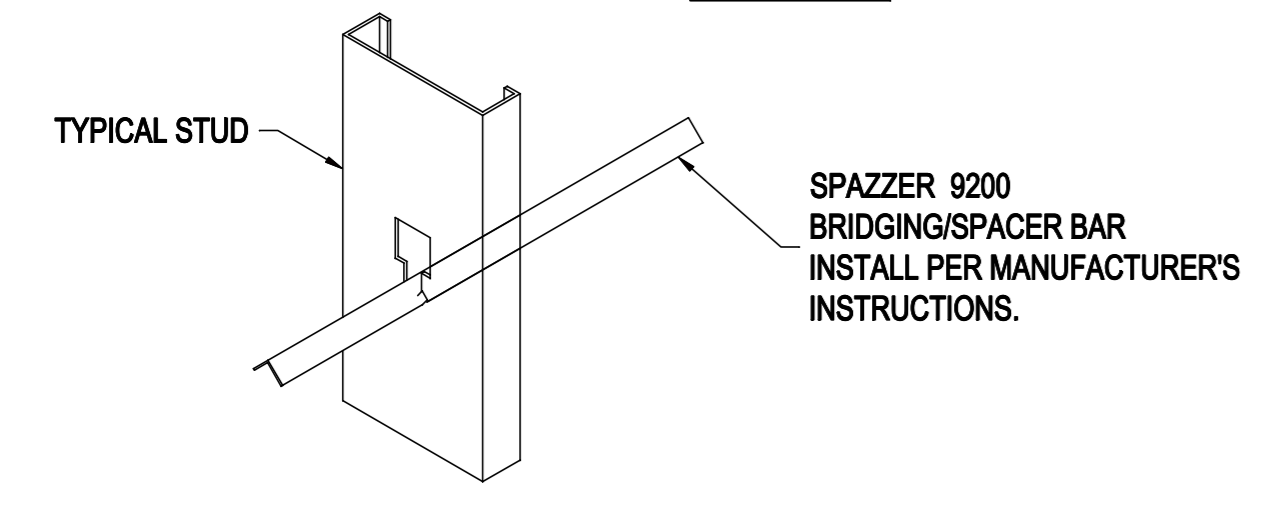
6 SPACER BAR TERMINATION
 A3.4 NTS



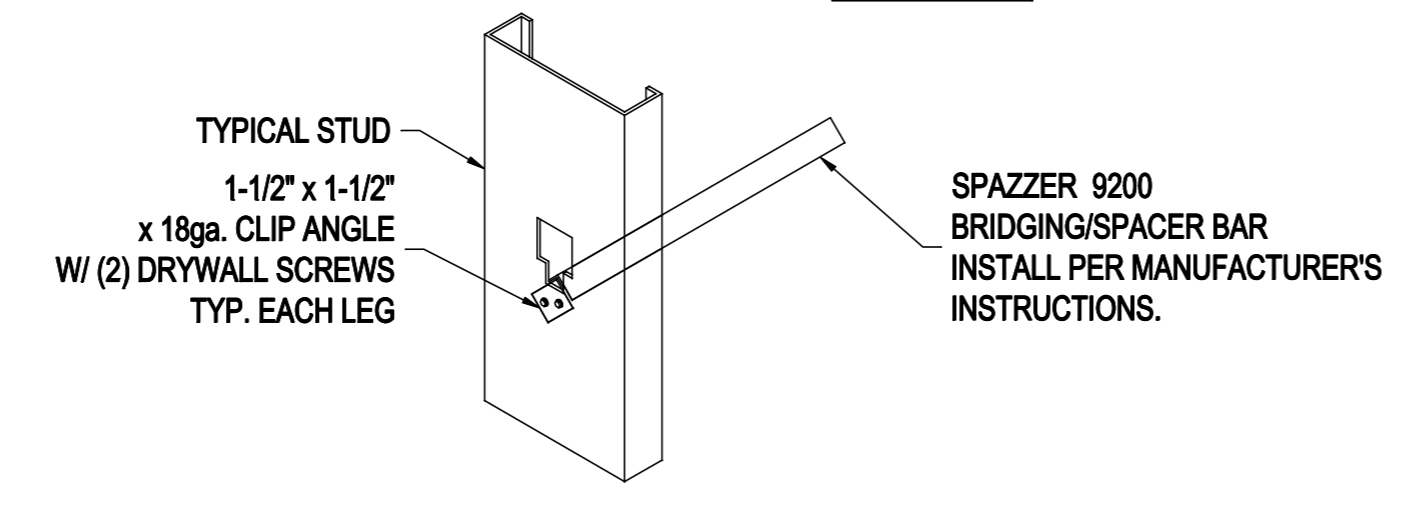
7 SPACER BAR JOINT
 A3.4 NTS



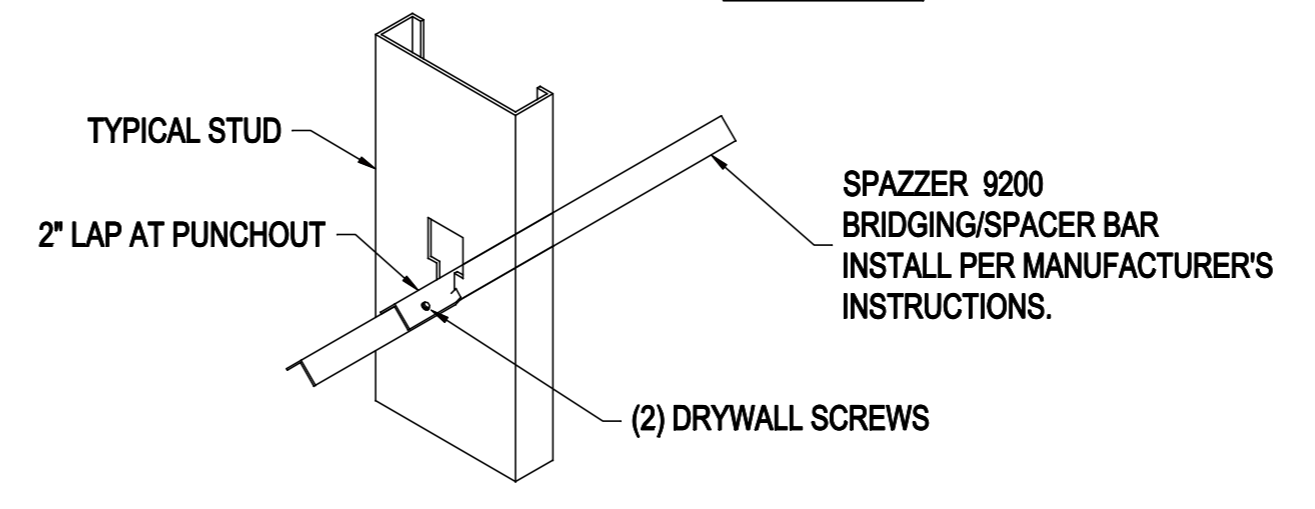
8 BLOCK CONNECTION DETAIL
 A3.4 NTS



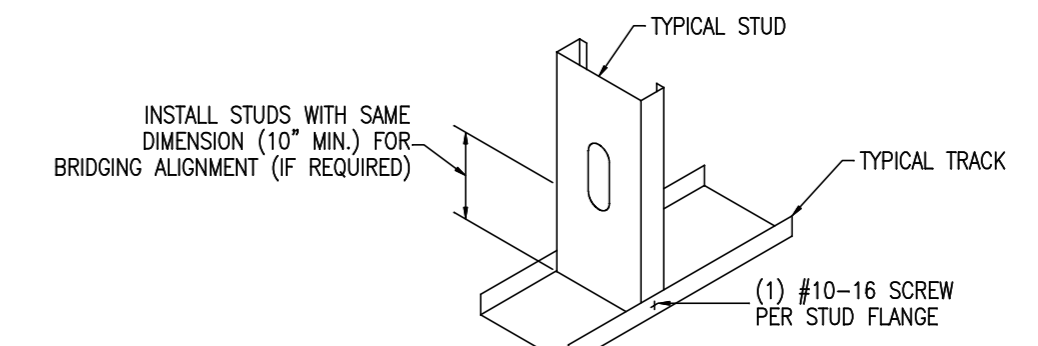
9 KD DOOR JAMB FRAMING
 A3.4 NTS



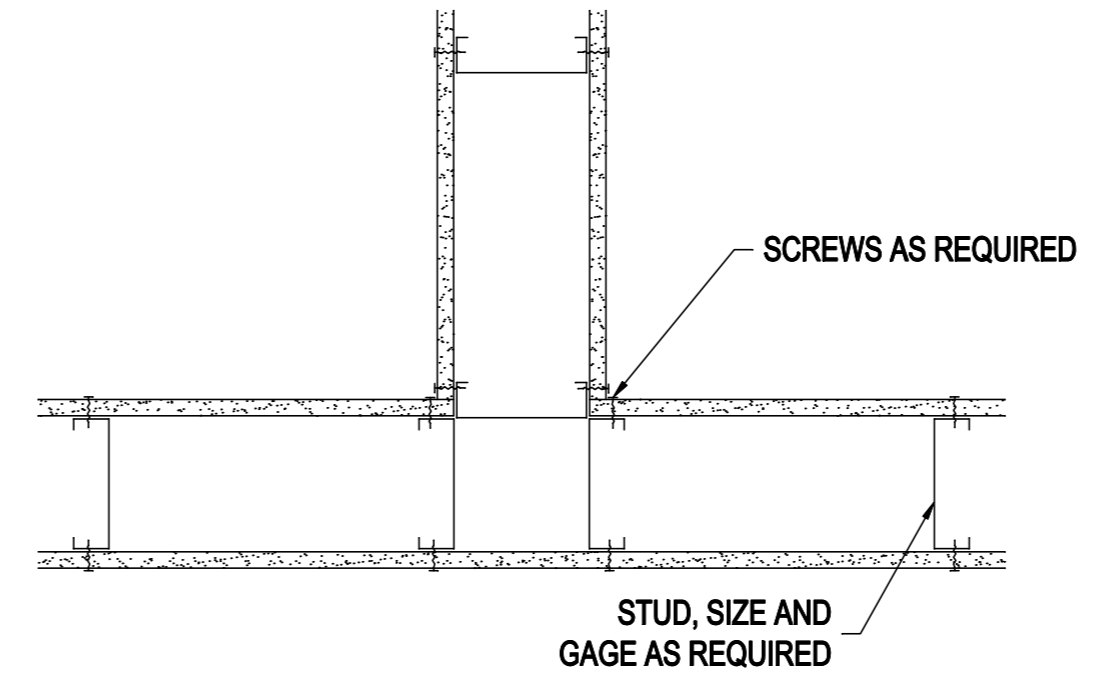
10 CORNER STEEL FRAMING
 A3.4 NTS



11 INTERSECTION STEEL FRAMING
 A3.4 NTS



12 STUD BASE CONNECTION DETAIL
 A3.4 NTS



13 TRACK SPLICE CONNECTION DETAIL
 A3.4 NTS

revisions

job#: 00104

521 st joseph st renovation
 521 st joseph street
 new orleans, louisiana
 owner:

PRELIMINARY
 09-08-2010

A3.4
 STEEL FRAMING DETAILS
 sheet #