

PLUMBING SYSTEM GENERAL NOTES:

1. PROVIDE ALL LABOR, MATERIALS, & EQUIPMENT, FOR A COMPLETE OPERATIONAL SYSTEM. THE SYSTEM SHALL INCLUDE SEWERAGE, HOT & COLD WATER PIPING, INSULATION, HANGERS, VALVES, SUPPORTS & PLUMBING FIXTURES NOT PROVIDED BY OWNER.
2. ALL WORK & MATERIAL SHALL CONFORM STRICTLY TO THE LATEST, LOCAL, PARISH, STATE, & NATIONAL GOVERNING CODES. (INTERNATIONAL MECHANICAL, INTERNATIONAL PLUMBING)
3. CONTRACTOR IS TO FIELD VERIFY ALL EXISTING UTILITY LOCATIONS, EXCAVATIONS & SIZES PRIOR TO COMMENCING ANY WORK. CONTRACTOR SHALL PAY ALL NECESSARY FEES FOR THE UTILITY CONNECTIONS
4. CONTRACTOR TO BE RESPONSIBLE TO VERIFY THE EXISTING INVERTS AND SET NEW INVERTS OR SEWERAGE & DRAINAGE PIPES.
5. SEWERAGE LINES 3" & SMALLER SHALL BE SLOPED 1/4" PER FOOT AND LINES 4" AND LARGER SHALL BE SLOPED 1/8" PER FOOT.
6. ALL PIPING SHALL BE PRESSURE TESTED AT REQUIRED PRESSURE PRIOR TO WALL CLOSE UP.
7. CONTRACTOR TO INSTALL WATER HAMMER ARRESTERS IN COLD & HOT WATER SUPPLY LINES WHERE REQUIRED.
8. DOMESTIC HOT AND COLD WATER PIPING UNDER THE SLAB SHALL BE ASTM B88 COPPER WATER TUBE, TYPE L, SOFT ANNEALED. NO JOINTS SHALL BE ALLOWED UNDER THE SLAB. TUBE SHALL BE SLEEVED AS REQUIRED.
9. DOMESTIC WATER PIPING AND FITTINGS ABOVE SLABS AND BEFORE APARTMENT SHUT OFF VALVES, SHALL BE ASTM B88 COPPER WATER TUBE, TYPE L, HARD DRAWN WITH WROUGHT COPPER PRESSURE TYPE FITTINGS, ANSI B16.22. THE JOINTS SHALL BE SOLDERED TYPE USING B32, ALLOY GRADE 95A (95-5) SOLDER.
10. DOMESTIC WATER PIPING AND FITTINGS AFTER APARTMENT SHUT OFF VALVES, SHALL BE ASTM F876 PEX-C TUBING. THE JOINTS SHALL BE CRIMP TYPE CONFORMING TO ASTM F1807
11. MINIMUM 18" COPPER SUPPLY AND OUTLET LINES TO AND FROM WATER HEATERS.
12. PEX TUBING TO BE COLOR CODED, RED FOR HOT WATER SUPPLY AND BLUE FOR COLD WATER SUPPLY.
13. ALL EXPOSED WATER SUPPLY, HOT AND COLD, TO BE NEATLY WRAPPED WITH A MINIMUM OF R-3 INSULATION APPROVED BY ARCH. PRIOR TO INSTALLATION.
14. DVM PIPING AND FITTINGS SHALL BE ASTM D5928 SCHEDULE 40 PVC.
15. CLEANOUTS SHALL BE PROVIDED WHERE REQUIRED BY THE ORLEANS PARISH S&WB. THIS INCLUDES BUT IS NOT LIMITED TO GREATER THAN 45° TURNS, AT STACK BASES, AND NO MORE THAN 50 FOOT INTERVALS. A MAIN CLEANOUT SHALL BE INSTALLED AT NOT MORE THAN 10 FEET INSIDE PROPERTY LINE.
16. CONTRACTOR TO FURNISH AND INSTALL NEW WATER LINE AND METER. COORDINATE WITH S&WB REGARDING TIE-IN POINT AND WATER MAIN LOCATION.
17. GAS LINES TO BE ASTM A53 BLACK PIPE

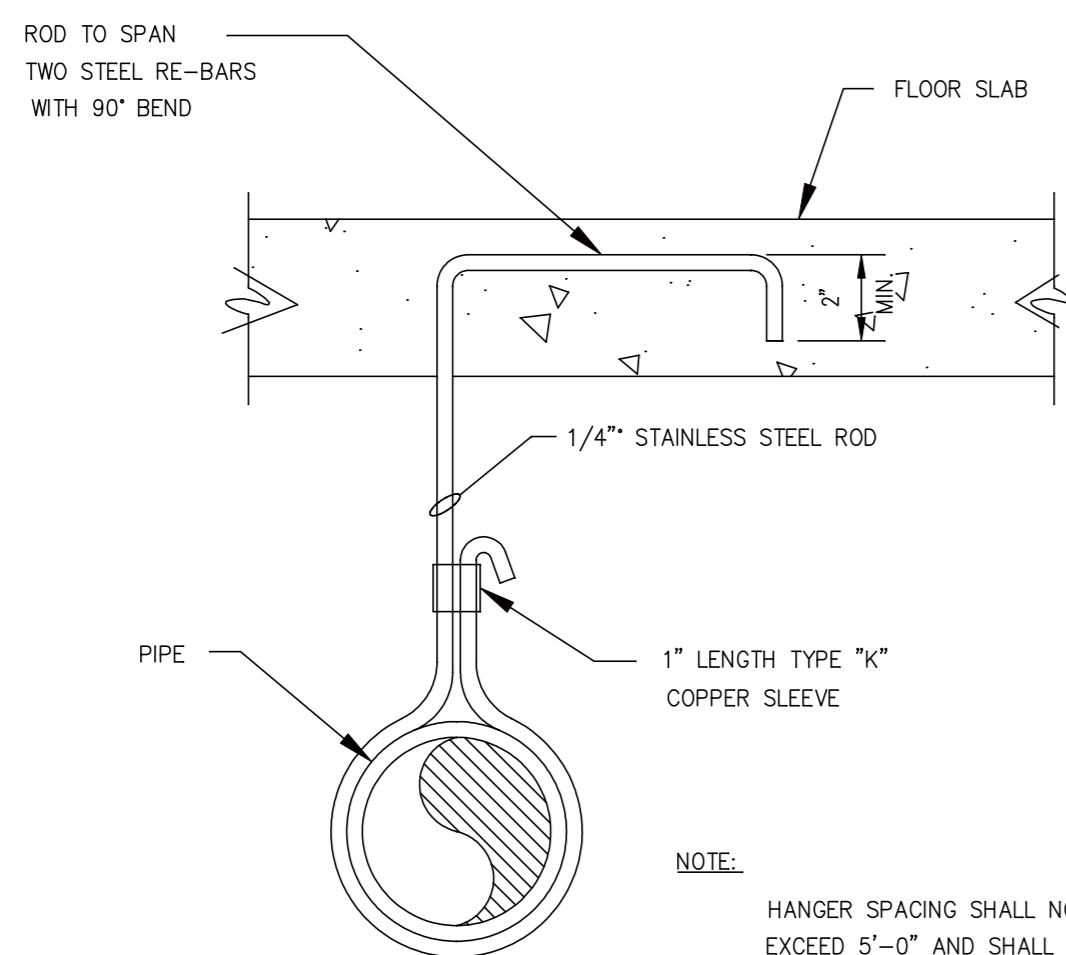
SPRINKLER / PLUMBING SYSTEM TIE IN NOTES:

1. WATER PRESSURE TO BE VERIFIED TO ENSURE THAT FIRE OR DOMESTIC BOOSTER PUMPS WILL NOT BE REQUIRED
2. FIRE WATER SUPPLY LINES SHALL MEET MATERIAL QUALIFICATIONS REQUIRED BY THE STATE FIRE MARSHALL'S OFFICE & THE ORLEANS SW&B.
3. CONTRACTOR SHALL INCLUDE IN BID PRICE THE WORK, MATERIALS, METERS, AND VAULTS TO INSTALL BACKFLOW PREVENTOR FOR THE FIRE SUPPLY AND DOMESTIC WATER LINE AND THE TIE-IN TO CITY SERVICES. COORDINATE LOCATION AND REQUIREMENTS WITH SPRINKLER CONTRACTOR.

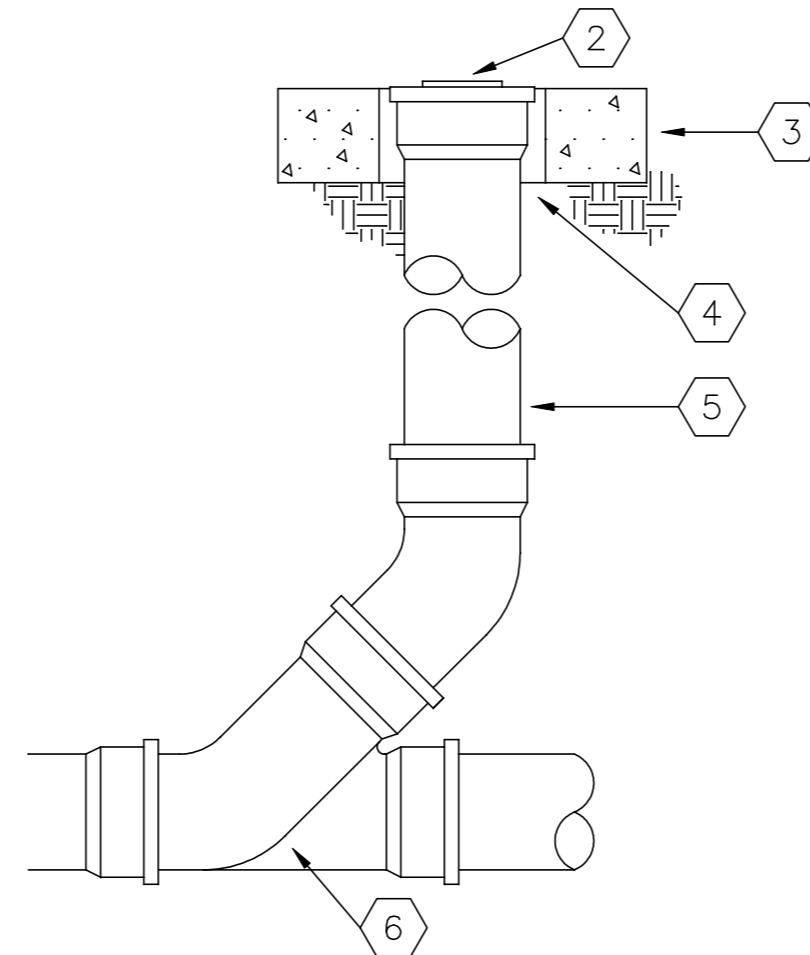
PLUMBING SCHEDULE									
	DISCRIPTION	MAKE/MODEL	MOUNTING	ROUGH IN	INLET	HEIGHT AFF	NOTES	ELEC.	GAS SUPPLY
pb1	TOILET	TOTO, CT419F9, COTTON	WALL MOUNT			17"	REQUIRES IN WALL CARRIER AND, REQUIRES SEAT, TOTO B80M		
pb2	IN WALL TOILET CARRIER	GENERBT, 11L355.00.5	IN WALL MOUNT		2" WASTE 1/2" CW SUPPLY	17"	REQUIRES DUAL FLUSH CONTROL, GENERBT "SAMB" 115.170.21.1		
pb3	LAV FACET	AM STANDARD, "SERVO" 2004.401, POLISHED CHROME	WALL MOUNT		1/2" HW & CW SUPPLY	42"			
pb4	LAV SINK	CUSTOM, BY OTHERS	CABINET MOUNT		1" WASTE	30"	PROVIDE BLOODING		
pb5	SHOWER MIXING VALVE	AM STANDARD, TRM-"SERVO" T094.001, VALVE-R117	WALL MOUNT		1/2" HW & CW SUPPLY	50"	VALVE AND TRM BOLD SEPARATELY		
pb6	KITCHEN FACJET	AM STANDARD, "SERVO" 400P, POLISHED CHROME	DECK MOUNT		1/2" HW & CW SUPPLY	30"			
pb7	KITCHEN FACJET	AM STANDARD, "SERVO" 433.000, POLISHED CHROME	DECK MOUNT		1/2" HW & CW SUPPLY	30"			
pb8	KITCHEN SINK	CUSTOM, BY OTHERS	CABINET MOUNT		1" WASTE	30"	PROVIDE BLOODING		
pb9	KITCHEN SINK	AM STANDARD, "COLNARE" 7001.000, STAINLESS STEEL	UNDER MOUNT		3/4" STRAINER 1" WASTE	30"			
pb10	HOSE BB	MULLER, FRONT FREE, # 104191C	WALL MOUNT		3/4" CW SUPPLY	24"			
wh1	ON DEMAND WATER HEATER	BOSCH OWH 3400 ES NG	WALL MOUNT		2" EDWALLET 3/4" GAS 3/4" WATER	TBD	PROVIDE BLOODING. PLUMBING NOTES: 11 INCLUDE HOK VENT KIT - FURNACE, THERMOSTAT - 10971	150V 40 HA SLE 2.6 AMP	3/2" W.C. MIN - 1/2" W.C. MAX 30,000 BTU MIN
sph1	SPACE HEATER	MR HEATER, M1075	CEILING MOUNT		2" EDWALLET 1/2" GAS	TBD		150V 6.0 AMP	2" W.C. MIN - 1/2" W.C. MAX 75,000 BTU

APPLIANCE SCHEDULE									
	DISCRIPTION	MAKE/MODEL	MOUNTING	ROUGH IN	INLET	NOTES	ELEC.	GAS SUPPLY	
#1	DISH WASHER	GE, GLD700TSS	BUILT IN	1/2" HW SUPPLY	3/8" NPT HW SUPPLY		150V K1A		
#2	REFRIGERATOR	GE, GFR50CHYS	FREE STANDING	1/4" WATER LINE			150V 15A		
#3	REFRIGERATOR	GE, GFR50D0SS	FREE STANDING	1/4" WATER LINE			150V 15A		
#4	RANGE	GE, JGSP30E0S0	BUILT IN	1/2" GAS			150V 8A	2" W.C. MIN - 1/2" W.C. MAX 20,000 BTU MAX	
#5	RANGE		FREE STANDING	1/2" GAS			NA	UNKNOWN	
#6	WASHER	LG, WM3000HW	FREE STANDING				150V 12A		
#7	GARBAGE DISPOSAL	INSINERATOR, B4500 G	SINK MOUNT		3/4" STRAINER 1" WASTE		150V 6.0A		

- 1 FINISH GRADE
- 2 BRASS CLEANOUT COUNTERSUNK HEAD TYPE
- 3 24" SQ. x 4" CONCRETE PAD
- 4 1" CLEARANCE AROUND C.O.
- 5 PVC PIPE
- 6 1/8" BEND IF C.O. OCCURS AT END OF LINE
- 7 TO SUIT PROJECT CONDITIONS

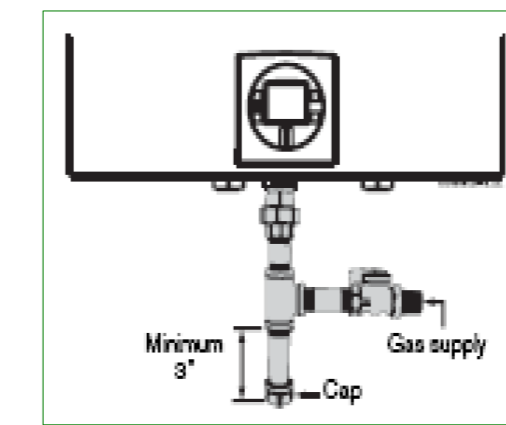


1 PIPE HANGER UNDER SLAB
P1.1 NTS

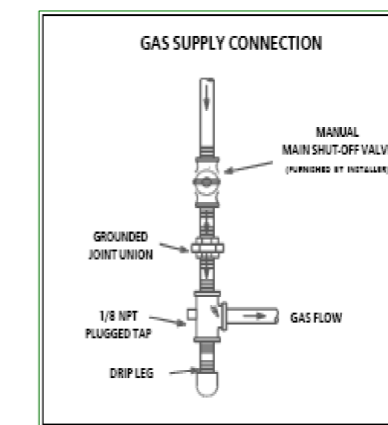


2 CLEANOUT TO GRADE
P1.1 NTS

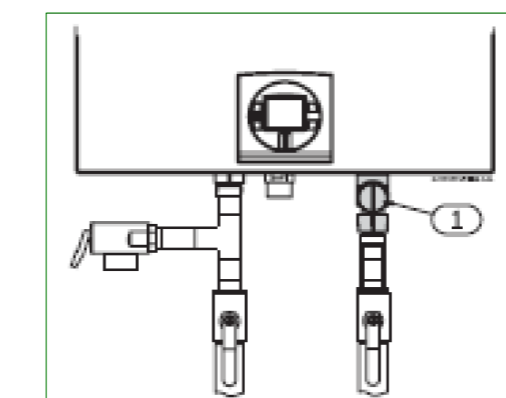
NOTE: EXTERIOR C.O.'S IN FINISHED CONC. OR BLACK TOP SURFACES SHALL BE EXTENDED TO GRADE IN ACCESS BOX W/HEAVY DUTY COVER. INTERMEDIATE C.O.'S IN UNFINISHED (GRASS) SURFACES SHALL BE EXTENDED WITHIN 12" OF GRADE AND IDENTIFIED WITH BRASS OR 4" SQ. x 12" LONG (VERTICAL) MARBLE MARKER AT GRADE.



3 WATER HEATER GAS CONNECTION
P1.1 NTS

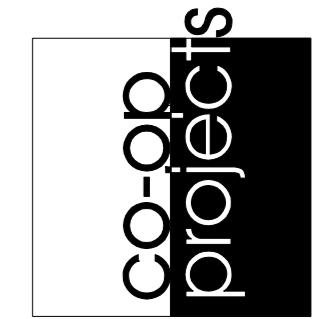


4 SPACE HEATER GAS CONNECTION
P1.1 NTS



5 WATER HEATER WATER CONNECTION
P1.1 NTS

Drawings and specifications as instruments of service are and shall remain the property of the professional of record whether the project for which they are made is executed or not. They are not to be used by the owner or anyone else on other projects or extensions to this project except by agreement in writing and with appropriate compensation to the authors.



phone: 1 504 250 0545
california-co-projects.com
1210 st andrew st
new orleans, la 70000

revisions

job#: 00104

521 st joseph st renovation
521 st joseph street
new orleans, louisiana
owner:

PRELIMINARY
09-08-2010

P1.1
PLUMBING
SCHEDULE

sheet #